

# Pedestal Stand

For 10" to 30" LCD Screens

1. VESA® 75 and 100 compliant
2. Adjustable height from 60.75" to 80" (1543-2032 mm)
3. Feet can move inward along pole if required
4. 180° of swivel at the head (up to 90° on each side)
5. Can be used freestanding up to 25 lb (11 kg) or bolted down up to 40 lb (18 kg)
6. Comes with hardware to bolt to concrete flooring



## MODELS

### Universal Models:

Includes standard hardware (hex or Phillips) for attaching screen to mount

**LCFS-100** Black  
**LCFS-100S** Silver

## SCREEN ADAPTER



### VESA® pattern

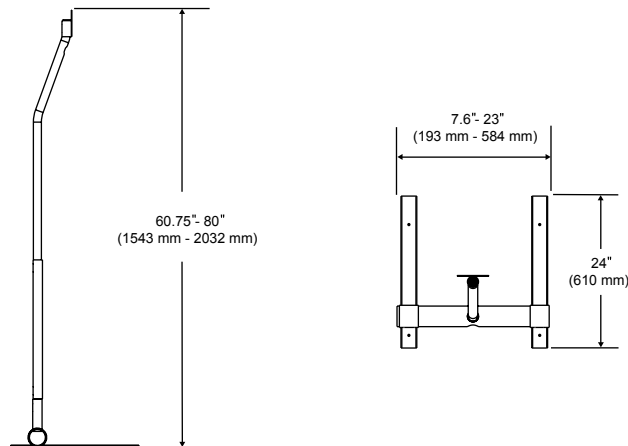
Universal Models: 75 and 100 mm

## SPECIFICATIONS

	<b>Height Adjustment</b>	60.75"-80" (1543-2032 mm)
	<b>Swivel</b>	±90°
	<b>Max load</b>	Freestanding: 25 lb (11 kg) Bolted down: 40 lb (18 kg)
	<b>Product Dimensions (W x H x D)</b>	7.6" -23" x 60.75"-80" x 24" (193-584 x 1543-2032 x 610 mm)
	<b>Mounting Surfaces</b>	All floor surfaces
	<b>Ship Weight</b>	26 lb (11.8 kg)

For expanded product information and technical data visit [www.peerlessmounts.com](http://www.peerlessmounts.com)

## TECHNICAL DRAWINGS



**RoHS**  
2002/95/EC

**MADE IN USA**

**PRÉSENCE**

Québec Montréal  
Tél. : (418) 681-2470 Tél. : (514) 871-1994

[www.presence.qc.ca](http://www.presence.qc.ca)