



**MITSUBISHI
ELECTRIC**

MULTIMEDIA DATA/VIDEO PROJECTORS

Changes for the Better



Ultra-Bright Images and High-Performance Projection

BrightEra™



New

XL6600U/LU

XL6500U/LU

Impress your Audience with the High Performance

The Mitsubishi XL6600U/LU and XL6500U/LU installation projectors will capture the attention of your audience by delivering sharp, bright images with vibrant colors and exceptional details.

Ultra-Brightness

Super bright 5000lm* & 6000lm*

The XL6600U/LU and XL6500U/LU delivers super bright 6000lm and 5000lm images. A high brightness level for presenting in large meeting rooms and conference halls.

*XL6600U/LU is 6000lm and XL6500U/LU is 5000lm.



3000lm

5000lm

Designed for Flexible Installations

2-way Mechanical Lens Shift (Vertical & Horizontal)

Lens shift allows images to be shifted both horizontally and vertically. Additionally, Digital Keystone Correction reduces line distortion by allowing for vertical correction to create a more natural-looking picture even when it is difficult to set up the unit perfectly perpendicular with the screen.



Versatile Input Terminals

Equipped with a RJ45 network terminal, administrators can remotely manage their projectors from a web browser via the Local Area Network (LAN). Administrators can check projector status such as lamp usage, change input selections, remotely power on or off, as well as receive email alerts if an error occurs. In addition, these projectors support RS232C standards as well as BNC connectivity for long cable setups with PC or video inputs.

Optional Lenses

A wide variety of optional lenses is available to suit any operating or user requirement.

OL-X500SZ
(Short Throw
Zoom Lens)



OL-X500LZ
(Long Throw
Zoom Lens)



OL-X500TZ
(Tele Throw
Zoom Lens)



OL-X500FR(F)
(Rear Projection Short Throw Fixed
Lens with Front Cabinet)



*The CA-XL6600 (FR) Front Cabinet (sold separately) is required when using the OL-X500FR Rear Projection Short Throw Fixed Lens.

Terminal Cover

Includes a terminal cover to cover up any visible connectivity cables.



Impressive Picture Quality

Color Enhancer

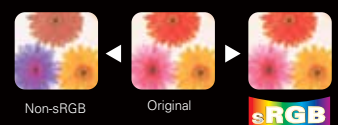
Optimum source reproduction is achieved with six different viewing modes: Auto, Presentation, Standard, Theater, sRGB, and User. Depending on the input signal, you can adjust the best color setting on your own.

3D Y/C digital comb filter and 3D noise reduction

The luminance and chrominance (Y/C) signals of images are separated with 3D processing for enhanced brightness. Cross-colorization (rainbow-like noise patterns) and dotcrawl (checkerboard-like noise patterns) are reduced, producing a clear and distinct image.

sRGB Mode

Developed to ensure standard, uniform color reproduction regardless of the type of display used, sRGB color profile technology uses independent color coordinates common to all display technologies. As a result, it helps to eliminate hue variations that occur between different display systems and more accurately matches the way colors look.



Mitsubishi Installation Projectors series



XL6600U/LU & XL6500U/LU Line-Up



XL6600U
6000lm / XGA



XL6500U
5000lm / XGA



XL6600LU*
(Lens not included)
6000lm / XGA

LU=no lens model*

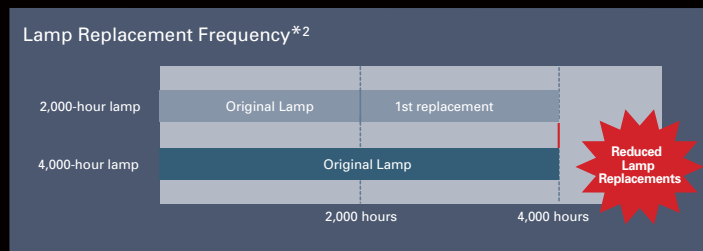


XL6500LU*
(Lens not included)
5000lm / XGA

User-friendly Functions

Long 4000hrs Lamp Life

Designed with a lamp temperature controlling system, the XL6600U/LU, XL6500U/LU can support a lamp life of up to 4000 hours*¹. The long life lamp makes dramatic reductions in overall cost of ownership by decreasing the frequency of lamp replacements.



(*1): When used in Lamp Low mode. Maximum lamp life at standard mode use is 2,000 hours. (*2): Lamp life refers to the average time required for brightness to be reduced by half, and not the time specified in the warranty. Use time may vary widely by the environment and conditions, and whether or not cleaning and other maintenance procedures are followed.

High Image Quality PinP (Real Motion)

This innovative technology allows you to show two images (two motion/live images) simultaneously on screen. Images from two different sources (PC and video) can be shown together on the main screen and PIP to double the impact of any presentation. An increase in video processing to 60 frames / sec. provides smoother image transitions and it is also possible to zoom up on the picture.

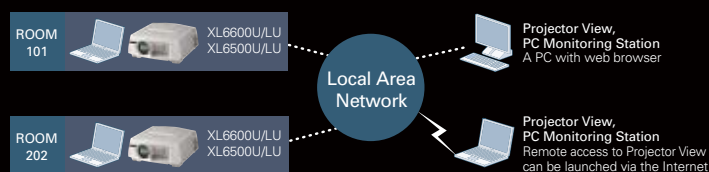


Ultra Quiet 29dBA Operation

Fan noise emanating from a projector can get annoying during a presentation or videoconference, but now that's a thing of the past. The XL6600U/LU, XL6500U/LU offer a significantly low noise level of only 29dBA (low lamp mode). As a result, your audience can enjoy the presentation or conference without noisy distractions from the projector.

PJ Link (Projector control by network LAN)

To monitor and projectors and facilitate maintenance, PJ Link is a diagnostic system that provides control over key projector functions such as...filter clogging. Being able to remotely manage via a LAN is ideal for administrators to control their projectors from a remote system.



Anti-Theft Features (password security, motion alarm, screen capture)

Through software, password menus helps lock out access to operation and a customized splash or logo screen can appear when powering on the projector to thwart would-be burglars. From a hardware standpoint, a motion alarm is built into the cable cover; if an outsider attempts to forcibly remove the projector from its mount, a loud alarm will help drive off the potential thief.



■ Motion alarm

Once the motion alarm is set, unauthorized attempts to remove the projector will cause the alarm to sound. Undetectable externally as it is built-in, the alarm is battery powered and features a "safety pin" that prevents accidental activation during projector maintenance.

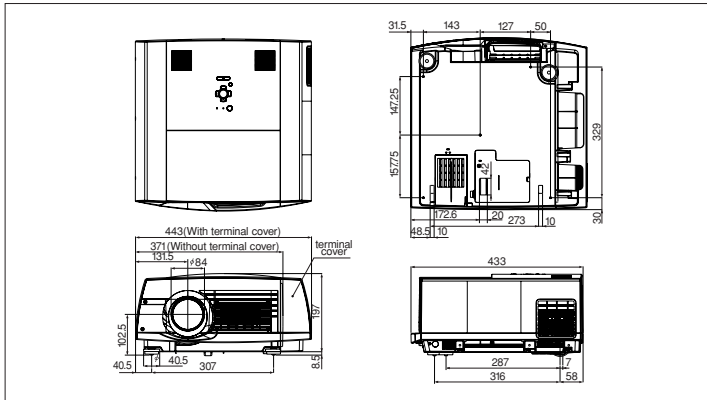


Specifications

Model	XL6600U/LU	XL6500U/LU
Display technology	1.3" TFT Poly Silicon x 3-LCD	
Resolution	1024 x 768	
Brightness	6000lm	5000lm
Contrast	1000:1	
Zoom / focus	Power (zoom ratio: 1.3:1)	
Picture size	60°~300°	
Throw Ratio	1.9~2.4	
Source lamp	220W (Shut off Time 4000Hrs) with Low Mode, 275W (Shut off Time 2000Hrs) with Standard Mode	
Computer compatibility	640 x 400 ~ 1600 x 1200, True ; 1024 x 768, Sync on green available	
Video compatibility	NTSC / NTSC 4.43 / PAL (including PAL-M, N) / SECAM / PAL-60 Component Video ; 480i/p (525i/p), 576i/p (625i/p), 720p (750p 50/60Hz), 1080i (1125i 50/60Hz), 1080p (1125p 50/60Hz), SCART (RGB + 1V sync, only Mini D-SUB 15pin)	
Input terminals	PC ; 5BNC x 1, Mini D-SUB 15pin x 1, DVI-D (with HDCP) x 1, PC Audio ; Stereo mini jack (ø3.5mm) x 2, Video (1) ; RCA x 1 or BNC x 1, Video (2) ; S-VIDEO (4pin) x 1 or S-VIDEO Y/C (BNC), Video Audio ; RCA (L/R) x 2	
Output terminals	RGB ; mini D-SUB 15pin x 1, Audio ; Stereo mini jack (ø3.5mm) x 1	
Communication terminals	LAN (RJ-45) x 1 (Projector control), RS-232C (D-SUB 9pin) x 1, USB x 1 (Mouse control), Wired remote (IN) ; Stereo mini jack (ø3.5mm) x 1, Wired remote (OUT) ; Stereo mini jack (ø3.5mm) x 1	
Audio speaker	10W mono	
Dimensions (W x H x D)	443 x 207 x 434mm / 17.4 x 8.1 x 17.1 inch (including terminal cover)	
Weight	9.8kg / 21.6lbs (excluding terminal cover)	
Power supply	AC100 ~ 240V, 50 / 60Hz	
Warranty	3-years parts/labor, 3-years Express Replacement Assistance, and 1-year or 500 hours lamp warranty (whichever comes first)	
Accessories	Replacement Lamp (VLT-XL6600LP), Optional Lens OL-X500SZ(Short throw lens), OL-X500LZ(Long throw lens), OL-500TZ(Tele zoom lens), OL-X500FR(F) (Rear Projection short throw lens) Hard shell rolling case: XL7000-ATAC, Ceiling Mount: XL5950CM	

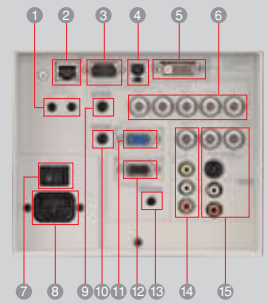
* Windows is a registered trademark of Microsoft Corporation. * Macintosh is a registered trademark of Apple Computer Inc. * SXGA, XGA, SVGA, WXGA are registered trademarks of IBM Corporation.
* All brand names and product names are trademarks, registered trademarks or trade names of their respective holders.

Dimensions (unit: mm)



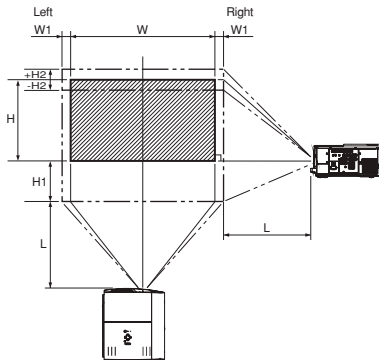
Input and Output Terminals

- 1 REMOTE IN and OUT terminals
- 2 LAN terminal
- 3 SERIAL terminal (D-SUB 9-pin)
- 4 USB (COMPUTER) terminal
- 5 COMPUTER/COMPONENT VIDEO DVI-D (HDCP) terminal (DVI-D 24-pin)
- 6 COMPUTER / COMPONENT VIDEO IN 1 terminal (R/Ps, G/Y, B/Ps, H/HV, V) (BNC)
- 7 Main power switch O : OFF I : ON
- 8 Power jack
- 9 AUDIO IN 1 terminal (Mini jack)
— The AUDIO IN 1 terminal is used for both COMPUTER 1 and DVI input.
- 10 AUDIO IN 2 terminal (Mini jack)
- 11 COMPUTER/COMPONENT VIDEO IN 2 terminal (Mini D-SUB 15-pin)
- 12 MONITOR OUT terminal (Mini D-SUB 15-pin)
- 13 AUDIO OUT terminal (Mini jack)
- 14 VIDEO IN and audio input terminals
- 15 S-VIDEO IN and audio input terminals



Screen size and projection distance

Refer to the following table to determine the screen size and projection distance.



■ XL6600U / XL6600LU / XL6500U / XL6500LU

Diagonal size	Screen				Distance from Screen (L)				Movable V Position from Default Position				Movable H Position from Default Position								
	inch	cm	inch	cm	inch	cm	inch	cm	Down(H1)	Up(H2)	Down(H1)	Up(H2)	Left(W1)	Right(W1)	Left(W1)	Right(W1)					
60	152	48	122	36	91	89	2.3	114	2.9	18	~	-2	46	~	-5	3	~	3	7	~	7
80	203	64	163	48	122	120	3.0	153	3.9	24	~	-2	61	~	-6	3	~	3	8	~	8
100	254	80	203	60	152	150	3.8	191	4.9	30	~	-3	76	~	-8	4	~	4	9	~	9
120	305	96	244	72	183	181	4.6	230	5.8	36	~	-4	91	~	-9	4	~	4	10	~	10
150	381	120	305	90	229	227	5.8	289	7.3	45	~	-5	114	~	-11	5	~	5	12	~	12
200	508	160	406	120	305	304	7.7	386	9.8	60	~	-6	152	~	-15	5	~	5	14	~	14
250	635	200	508	150	381	381	9.7	483	12.3	75	~	-8	191	~	-19	7	~	7	17	~	17
300	762	240	610	180	457	458	11.6	-	-	90	~	-9	229	~	-23	8	~	8	20	~	20

Distances and measurements are approximate

Optional Lenses

■ XL6600U / XL6600LU / XL6500U / XL6500LU

Model	OL-X500SZ	OL-X500LZ	OL-X500TZ	OL-X500FR(F)
Type	Short Throw Zoom Lens	Long Throw Zoom Lens	Tele Throw Zoom Lens	Rear Projection Short Throw Fix Lens (on axis)
F NO.	F2.0 - 2.3	F2.5 - 3.2	F2.5 - 3.4	F2.5
f	37 - 44mm	64 - 90mm	93 - 140mm	22mm
Throw ratio	1.3 - 1.6	2.4 - 3.3	3.4 - 5.2	0.8
Off-set axis	19 (up) : 1 (down)*	19 (up) : 1 (down)*	19 (up) : 1 (down)*	1 : 1 (on axis)*
Zoom / Focus	Motorized (1.2 : 1)	Manual (1.4 : 1)	Manual (1.5 : 1)	Manual
Weight	14kg / 3.1lbs	1.7kg / 3.8lbs	1.7kg / 3.8lbs	1.7kg / 3.8lbs
Length	177mm (max)	204mm (max)	205mm (max)	174mm (max)
Lens diameter	84mm	84mm	84mm	123.8mm

* The lens shift function allows the picture off-set to be adjusted between 19 : 1 (off axis) and 1 : 1 (on axis).
Lens shift cannot be used with OL-X500FR(F).

PRÉSENCE

Québec Montréal
Tél. : (418) 681-2470 Tél. : (514) 871-1994
www.presence.qc.ca

ONICS

MITSUBISHI ELECTRIC

PRESENTATION PRODUCTS

MITSUBISHI ELECTRIC SALES CANADA INC.
Information Technologies Group
Phone: 905.475.7728
www.mitsubishielectric.ca