

Changes for the Better



MULTIMEDIA DATA/VIDEO PROJECTORS

XL2550U

4000lm
Brightness

4000hrs
Long Life Lamp
(with lamp low mode)

29dBA
Fan Noise
(with lamp low mode)

An installation projector instilled with our passion for excellence, embodying our all-out pursuit of big-screen impact.

XL1550U

3100lm
Brightness

5000hrs
Long Life Lamp
(with lamp low mode)

22dBA
Fan Noise
(with lamp low mode)



XL2550U/XL1550U

INSTALLATION XGA PROJECTOR



BrightEra™
(XL2550U)

Long-focus lenses engineered for ceiling-suspended installations

Equipped with our long-focus lens designed for ceiling-suspended installation in auditoriums and other large indoor venues, these new models create bright, clear and dynamic images. Optional interchangeable lenses tooled to meet specific tastes and needs are also available.

Fan noise is a hushed 22dBA, almost too quiet to notice (XL1550U)

Fan noise is barely perceptible at 22dBA* (XL1550U). Even in cramped room conditions, clear and quiet presentations are guaranteed.

(*) When used at the low lamp mode.

Trembling leaves	20dBA
Whispering voices	30-40dBA
Daytime residential district	40dBA and above

Bright 4000lm with BrightEra™ LCD panels (XL2550U)

The XL2550U model is equipped with newly developed BrightEra™ LCD panels. These panels include inorganic orientation film and vertical orientation liquid crystal to bring improvements in reliability of light resistance. What's more, our new drive system (double-speed field inversion drive) solves nagging liquid crystal orientation distortion caused by pixel line voltage gaps. The result is a high pixel aperture ratio, which increases light efficiency to a whole new level.



1000lm

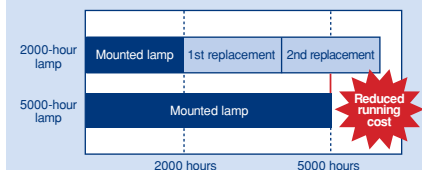


4000lm

Long Lamp Life - Up to 5000 hours (XL1550U)

Designed with a light source lamp temperature control, the XL1550U model can support a lamp life of up to 5000 hours*1. This support for a long lamp life makes dramatic reductions in overall cost of ownership by decreasing the frequency of lamp replacements.

Lamp Replacement Frequency*2



(*1): When used at the low lamp mode. Maximum lamp life at standard mode use is 2,000 hours. (*2): Lamp life refers to the average time required for brightness to be reduced by half, and not the time specified in the warranty. Use time may vary widely by the environment and conditions, and whether or not cleaning and other maintenance procedures are followed.



XL2550U/XL1550U

INSTALLATION XGA PROJECTOR



Side Lamp Replacement

A side-loading lamp design makes lamp replacement quick and efficient. With this time saving design, you can leave the projector in place, and simply extract the old lamp from its side, saving you time and money.



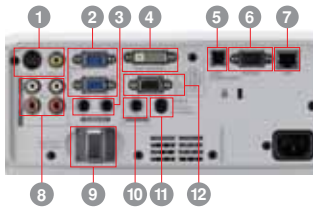
Anti-Theft Security Hook

An anti-theft security hook is located on the rear side of the projector to deter any unauthorized removal from classrooms, media carts or mounts.

Note: Mitsubishi Electric cannot accept responsibility for thefts occurring despite use of this safety feature.

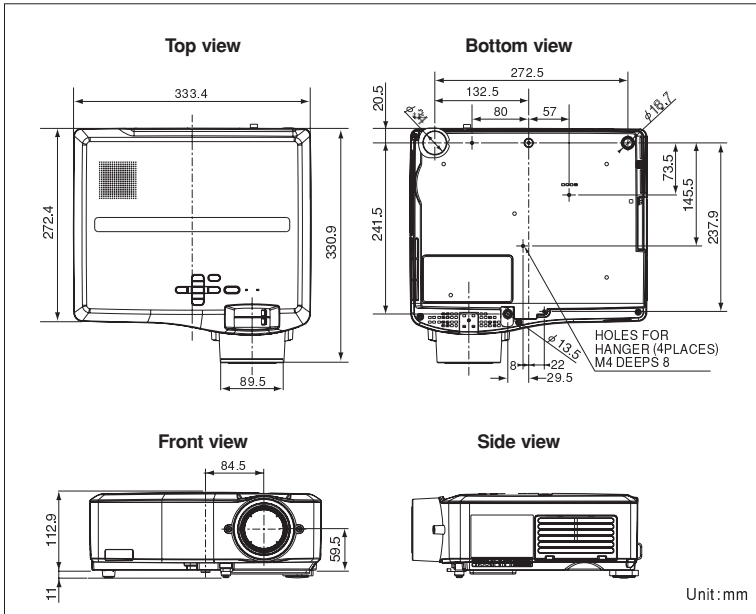
Input and Output Terminals

Enhanced terminal group realizes a versatile range of presentations.



- 1 S-Video / Video input
- 2 PC / Component Video input (mini D-sub 15pin)
- 3 PC / Audio input
- 4 DVI-D (with HDCP) input
- 5 USB terminal for mouse control
- 6 Serial RS-232C (D-sub 9pin)
- 7 LAN (RJ-45)
- 8 Video / Audio input
- 9 Security Hook
- 10 Audio output
- 11 DC Out 5V 1.5A (Max)
- 12 Monitor output

Dimensions



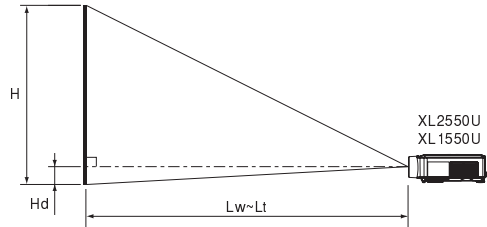
Specifications

Model	XL2550U	XL1550U
Display technology	0.8" 3-LCD (with micro lens)	
Resolution	1024X768 (total 786,432 pixels) 600 video lines	
Brightness	4000lm	3100lm
Contrast	600: 1 (on/off)	400: 1 (on/off)
Projection lens	f=29-37mm, F1.7-2.0	
Throw Ratio	1.77-2.26	
Picture Size	40"~300"	
Source lamp	220W (Shut Off Time 4000Hrs) in Low Mode 261W (Shut Off Time 2000Hrs) in Standard Mode	160W (Shut Off Time 5000Hrs) in Low Mode 200W (Shut Off Time 2000Hrs) in Standard Mode
Computer compatibility	640x480 (Expand) 1280x768 (Compressed)	1024x768 (True~Real) 1600x1200 (Resampling)
Video compatibility	NTSC/NTSC 4.43/PAL (including PAL-M, N)/SECAM/PAL-60 Component Video: 480i/p(525i/p), 576i/p(625i/p), 720p (750p 50/60Hz), 1080i(1125i 50/60Hz), SCART (RGB+1V sync)	
PC input terminals	PC: mini D-sub 15pinX2, DVI-D (with HDCP) X1 PC-Audio: stereo mini jack (ø3.5mm) X2	
Video input terminals	Video: RCAX1, S-videoX1, Audio: RCA (L,R) X2	
Output terminals	Monitor Out: mini D-sub 15pinX1, DC Out: 5V 1.5A (MAX) Audio: stereo mini (ø3.5) X1	
Communication terminals	LAN (RJ-45) X1, RS-232C (D-Sub 9 pin) X1 (Direct Command) USB terminal for mouse cursor control	
Audio speaker	3W mono	
Dimension (WXHXD)	333X113X272mm (13.1X4.4X10.7") (excluding height adjustment)	
Weight	4.7kg / 10.4lbs	
Power supply	AC100 - 240V, 50/60Hz	
Optional lamp	VLT-XL650LP	VLT-XL550LP

*"BrightEra" and BrightEra are trademarks of Sony corporation.
*All brand names and product names are trademarks, registered trademarks or trade names of their respective holders.

Screen size and Projection distance

As seen from the side



Screen size chart (4:3 aspect ratio)

Screen		Distance from screen				Height projected image (Hd)					
Diagonal Size	Width	Height	Max. Zoom	Min. Zoom	inch	cm					
40	102	32	81	24	61	55	1.4	71	1.8	2.4	6
60	152	48	122	36	91	84	2.1	108	2.7	3.6	9
80	203	64	163	48	122	113	2.9	145	3.7	4.8	12
100	254	80	203	60	152	142	3.6	182	4.6	6.0	15
150	381	120	305	90	229	214	5.4	274	6.9	9.0	23
200	508	160	406	120	305	285	7.3	366	9.3	12.0	31
250	635	200	508	150	381	357	9.1	-	-	15.0	38
300	762	240	610	180	457	429	10.9	-	-	18.0	46

Max.Zoom(Wide) : $y = (x-1.5215) / 27.37$ x: Diagonal Size of Screen (inch)
Min.Zoom(Tele) : $y = (x-1.1903) / 21.413$ y: Throw Distance (m)

Option



Lamp
VLT-XL650LP
VLT-XL550LP

MI
AM
Pre
Ph
Em
ww

Québec Montréal
Tél. : (418) 681-2470 Tél. : (514) 871-1994
www.presence.qc.ca

MITSUBISHI ELECTRIC
PRESENTATION PRODUCTS

MITSUBISHI ELECTRIC SALES CANADA INC.
Information Technologies Group
Phone: 905.475.7728
www.mitsubishielectric.ca